

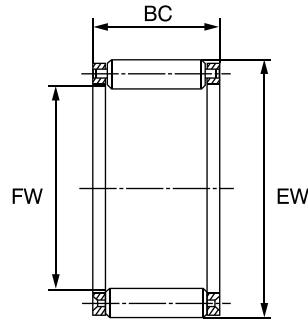
无套圈长圆柱滚子和保持架组件 No Collar Slab Roller and Cage Assemblies

◎该种轴承适用于径向尺寸特别受限制的部件中，该种轴承因无套圈，轴颈表面和外壳内孔表面直接作为滚动面，要求与其相配的轴颈表面的外壳内孔表面的硬度，表面粗糙度及尺寸精度应与轴承套圈相当，还有一种改枢轴式圆柱体为平头圆柱体，并采用“M”型保持架的结构型式，这时速度性能有较大改善。

◎This kind of bearing is suitable for the parts in which the radial size is specially limited. Since the bearing has not collar, the surface of shaft journal and the surface of housing inner bore are directly acted as rolling face. It is requested that the hardness, surface roughness and size accuracy of shaft journal surface and housing inner bore surface fitted with it be adaptable to the collar of bearing. Another pivot cylinder is modified as flat cylinder with M-type cage structure. Its speed performance is greatly improved.



无套长圆柱滚子和保持架组件
No Collar Slab Roller and Cage Assemblies



KNL 00×00×00型64000 (640000型)

轴径 Shaft Diameter	轴承型号 Bearing Designation		重量 Mass 近似 Approx	外形尺寸 Boundary Dimensions			基本额定负荷 Basic Load Rating	
	现型号× Current Code	原型号 Original Code		Fw	Ew	Bc	动 Dynamic	静 Static
mm			g	mm			N	
19.051	KNL19.051×28.588×36.75	64903	70	19.051	28.588	36.75		
19.051	KNL19.051×28.588×43.25	64904	80	19.051	28.588	43.25		
20	KNL20×30.2×18	64704	40	20	30.2	18		
20.612	KNL20.612×33.325×35	864904	96	20.612	33.325	35		
20.638	KNL20.638×33.338×36.75	64705	92	20.638	33.338	36.75		
25	KNL25×38×24.7	64805	82	25	38	24.7		
25.4	KNL25.4×41.2×60.4	64905	265	25.4	41.2	60.4		
27.71	KNL27.71×42.825×44.1	64906	183	27.71	42.825	44.1		
28.575	KNL28.575×41.275×34.925	64806	122	28.575	41.275	34.925		
28.578	KNL28.575×41.275×40	94626	155	28.578	41.275	40		
29.975	KNL29.975×42×44.1	64706	160	29.975	42	44.1		
29.975	KNL29.975×42×31	9148/30	81	29.975	42	31		
31.75	KNL31.75×44.45×31.75	864807	115.8	31.75	44.45	31.75		
31.9	KNL31.9×41.46×32	31.9×41.46×32	95	31.9	41.46	32		
32	KNL32×50×45	30643/32	272	32	50	45		
32	KNL32×52×49	64907	329	32	52	49		
37.96	KNL37.96×53.9×36	37.96×53.9×36	208.3	37.96	53.9	36		
40	KNL40×60×30	10643/40	248	40	60	30		
52.412	KNL52.412×71.425×42.3	864911	441	52.412	71.425	42.3		
65	KNL65×89×58.9	864913	943	65	89	58.9		
74	KNL74×106×57.9	864915	1563	74	106	57.9		