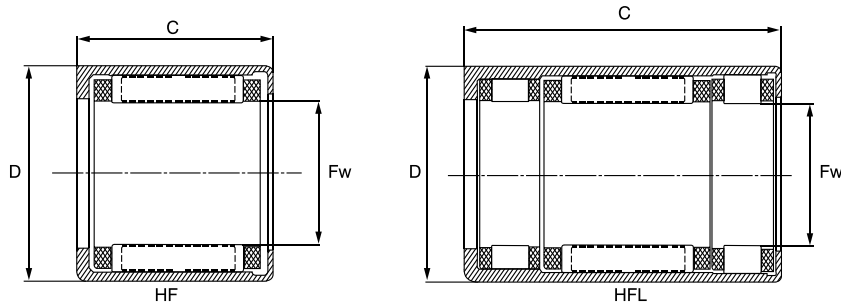


冲压外圈滚针离合器 冲压外圈滚针离合器组件 Drawn Cup Needle Roller Clutch, Drawn Cup Needle Roller Clutch Assembly

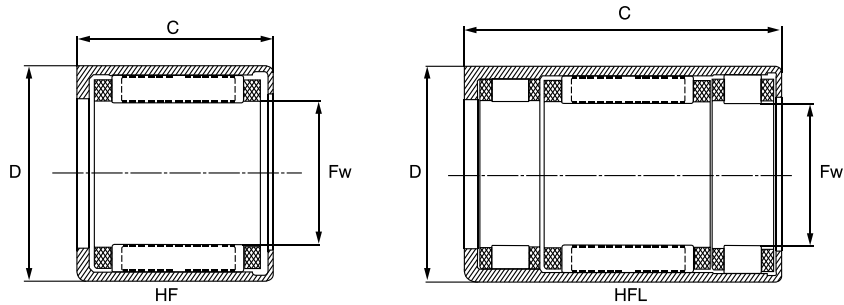
- ⊙ 冲压外圈滚针离合器是采用优质钢板经精密冲制加工的薄壁冲压外圈，配合相应的塑料保持架、弹簧、和滚针组成单向离合器，可以传递单向力矩。
- ⊙ 冲压外圈滚针离合器本身不具备承载特性。可与HK和BK系列冲压外圈滚针轴承相同直径结合使用时可以解决。
- ⊙ 冲压外圈滚针离合器组件是将既能承受径向负荷又能传递扭矩这两个特性合为一体的支承轴承。
- ⊙ The drawn cup needle roller clutch is the overriding clutch (one-way clutch), composed of the outer ring punched with the high-quality steel sheet, plastic retainer, spring and needles, used for transferring one-way torque.
- ⊙ The drawn cup needle roller clutch has not the load carrying feature by itself. However it can play the action in combination with Model HK and BK drawn cup needle roller bearing.
- ⊙ The drawn cup needle roller clutch is the block bearing either withstanding the radial load or transferring torque.



冲压外圈滚针离合器
Drawn Cup Needle Roller Bearings



轴径 Shaft Diameter	轴承型号 Bearing Designation	重量 Mass 近似 Approx	外形尺寸 Boundary Dimensions			基本额定负荷 Basic Load Rating		极限转速 Limiting Speed		传递 扭矩 Trans- mission torque N.m
	现型号 Current Code		Fw	D	C	动 Dynamic	静 Static	脂润滑 Grease	油润滑 Oil	
mm		g	mm			N		rpm		
4	HF0406	1	4	8	6			34000	14000	0.34
6	HF0612	3	6	10	12			23000	13000	1.76
8	HF0812	3.5	8	12	12			17000	12000	3.15
10	HF1012	4	10	14	12			14000	11000	5.3
12	HF1216	11.6	12	18	16			11000	8000	12.2
14	HF1416	13	14	20	16			9500	8000	17.3
16	HF1616	14	16	22	16			8500	7500	20.5
18	HF1816	15.5	18	24	16			7500	7500	24.1
20	HF2016	17	20	26	16			7000	6500	28.1
25	HF2520	30.9	25	32	20			5500	5500	66
30	HF3020	36	30	37	20			4500	4500	90
35	HF3520	40	35	42	20			3900	3900	121
4	HFL0408	1.6	4	8	8			34000	14000	0.34
6	HFL0615	4	6	10	15	4050	4650	23000	13000	1.76
8	HFL0822	6.3	8	12	22	4300	4650	17000	12000	3.15
10	HFL1022	7.4	10	14	22	6300	6500	14000	11000	5.3
12	HFL1226	18	12	18	26	7100	7700	11000	8000	12.2
14	HFL1426	20.3	14	20	26	7300	8400	9500	8000	17.3
16	HFL1626	22	16	22	26	8300	10300	8500	7500	17.3
18	HFL1826	24.4	18	24	26	8200	10400	7500	7500	20.5
20	HFL2026	27	20	26	26	10900	14100	7000	6500	28.5
25	HFL2530	44	25	32	30	12600	17600	5500	5500	66
30	HFL3030	51	30	37	30	13000	19300	4500	4500	90
35	HFL3530	58	35	42	30			3900	3900	121

冲压外圈滚针离合器 (英制系列)
Drawn Cup Needle Roller Bearings (Inch series)


轴承型号 Bearing Designation		重量 Mass 近似 Approx	外形尺寸 Boundary Dimensions						极限转速 Limiting Speed	传递 扭矩 Transmission torque
			Fw		D		C			
			g	inch	mm	inch	mm	inch		
—	R2-02	2	1/8	3.18	9/32	7.14	0.250	6.35	50000	2.86
—	FC-4	1	0.16	4	0.31	8	0.236	6	50000	2.78
FCS-6	—	3.5	0.24	6	0.39	10	0.472	12	39300	18.6
—	RC-040708	3.5	1/4	6.35	7/16	11.11	0.500	12.70	38000	17.2
FCL-8-K	—	4.7	0.31	8	0.47	12	0.472	12	28700	28.7
FC-8	—	4	0.31	8	0.55	14	0.472	12	30500	35.8
RC-061008-FS*	RC-061008	4.7	3/8	9.52	5/8	15.88	0.500	12.70	25300	45.4
FCL-10-K	—	4	0.39	10	0.55	14	0.472	12	22700	39.1
FC-10	—	4.8	0.39	10	0.63	16	0.472	12	23700	50.4
FC-12	—	11	0.47	12	0.71	18	0.630	16	19300	118
RC-081208-FS*	RC-081208	9.2	1/2	12.70	3/4	19.05	0.500	12.70	18700	73.6
RC-101410-FS*	RC-101410	14.5	5/8	15.88	7/8	22.22	0.625	15.88	14700	143
FC-16	—	14	0.63	16	0.87	22	0.630	16	14000	182
RS-121610-FS*	—	17	3/4	19.05	1	25.40	0.625	15.88	11300	196
FC-20	RC-162110	17	0.79	20	1.02	26	0.630	16	10700	274
FC-25	—	30	0.98	25	1.26	32	0.787	20	8570	605
RC-162110-FS*	—	25.4	1	25.40	1 ³ / ₁₆	33.34	0.625	15.88	8670	412
FC-30	—	36	1.18	30	1.46	37	0.787	20	7330	845
FCS-35	—	40	1.38	35	1.65	42	0.787	20	6130	913

轴承型号 Bearing Designation		重量 Mass 近似 Approx	外形尺寸 Boundary Dimensions						基本额定负荷 Basic Load Ratig(N)		极限转速 Limiting Speed	传递 扭矩 Transmission torque
			Fw		D		C		动 Dynamic	静 Static		
			g	inch	mm	inch	mm	inch				
FCBL-8-K	—		0.31	8	0.47	12	0.866	22	532		28700	29.0
FCB-8	—	10	0.31	8	0.55	14	0.787	20	541		30500	35.8
RCB-061014-FS*	RCB-061014	12	3/8	9.52	5/8	15.88	0.875	22.22	848		25300	45.4
FCB-10	—	15	0.39	10	0.63	16	0.787	20	628		23700	50.4
FCB-12	—	18	0.47	12	0.71	18	1.024	26	882		19300	118
RCB-081214-FS*	RCB-081214	16	1/2	12.7	3/4	19.05	0.875	22.22	1020		18700	73.6
RCB-101416-FS*	RCB-101416	21.3	5/8	15.88	7/8	22.22	1.000	25.40	1140		14700	143
FCB-16	—	22	0.63	16	0.87	22	1.024	26	951		14000	182
RCB-121616-FS*	RCB-11616	26.5	3/4	19.05	1	25.40	1.000	25.4	1270		11300	196
FCB-20	—	27	0.79	20	1.02	26	1.024	26	1180		10700	274
FCB-25	—	44	0.99	25	1.26	32	1.181	30	1580		8670	605
RCB-162117-FS*	RCB-162117	44.8	1	25.40	1 ⁵ / ₁₆	33.34	1.063	27	2240		8670	412
FCB-30	—	51	1.18	30	1.46	37	1.181	30	1620		7300	845